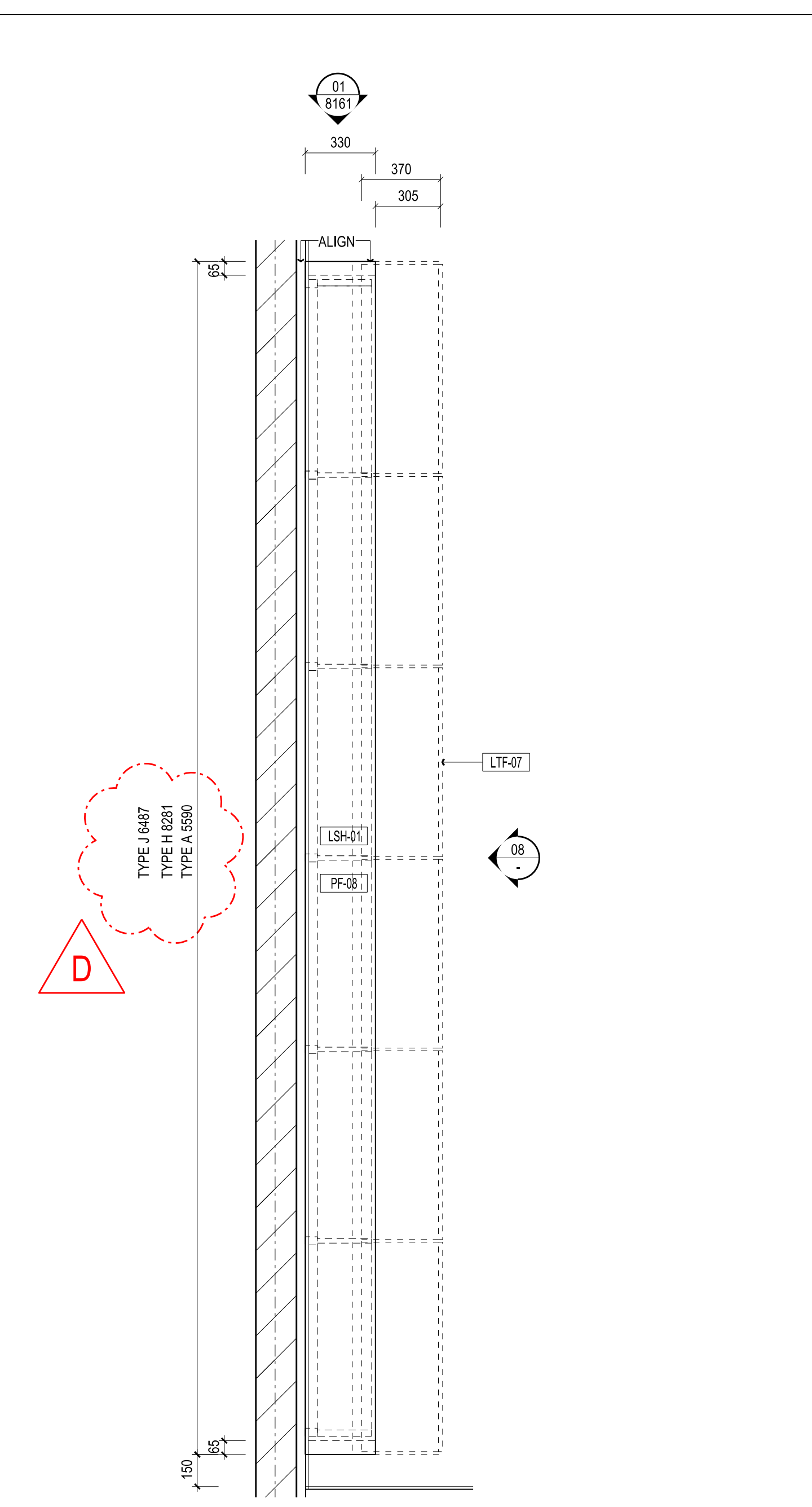
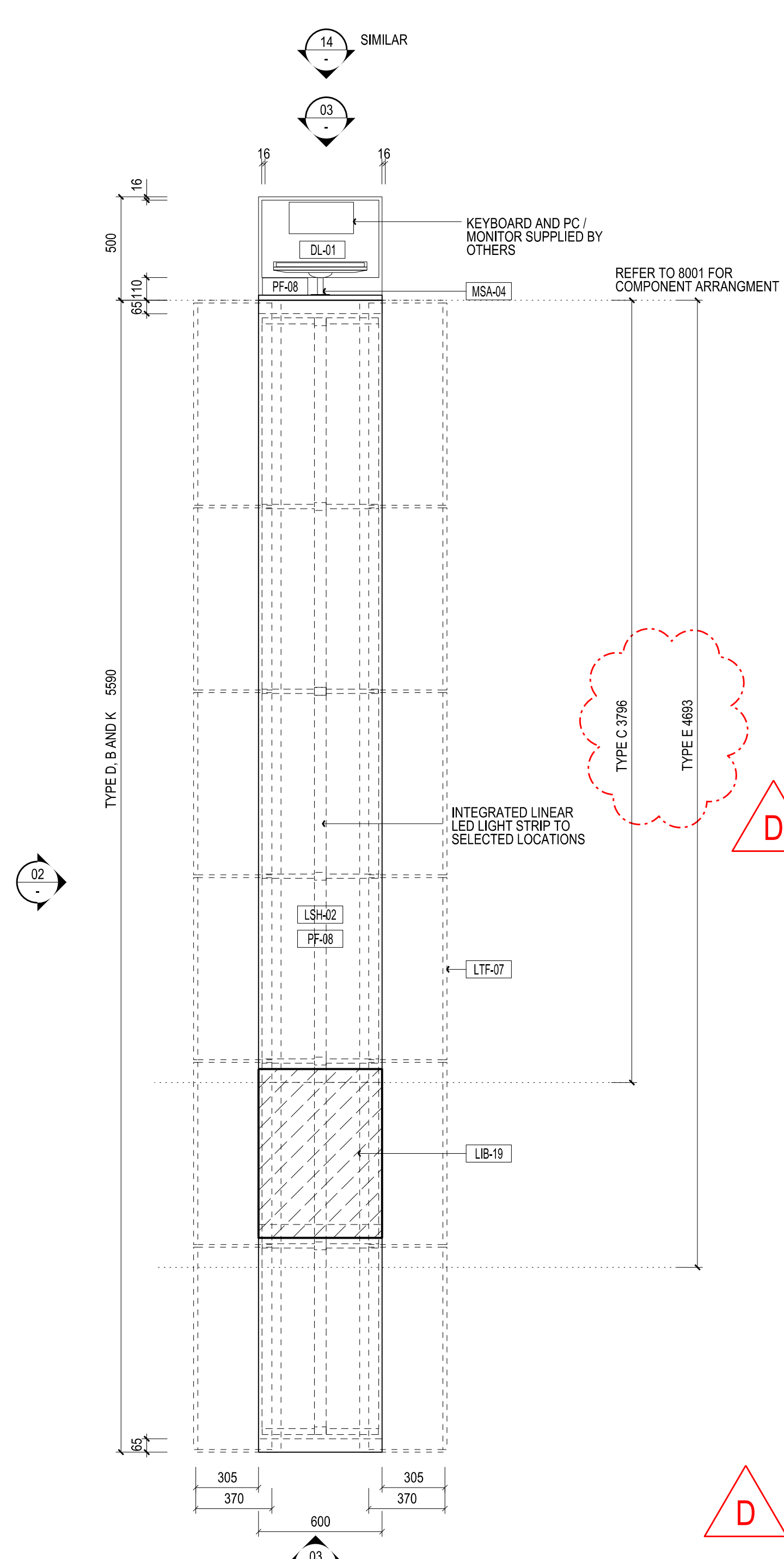


CONTRACTORS SHALL VERIFY JOB DIMENSIONS BEFORE ANY JOB COMMENCES. ALL SHOP DRAWINGS SHALL BE SUBMITTED TO THE SUPERINTENDENT AND MANUFACTURER SHALL NOT COMMENCE FROM THE RETURN OF DIMENSIONS SHOP DRAWINGS BEING BY THE CONSULTANT. FIGURED DIMENSIONS SHALL TAKE PRECEDENCE OVER SCALED. THIS DRAWING SHOULD BE READ IN CONJUNCTION WITH ALL RELEVANT CONTRACT SPECIFICATIONS AND DRAWINGS COPYRIGHT OF THIS DRAWING IS VESTED IN HANDLE

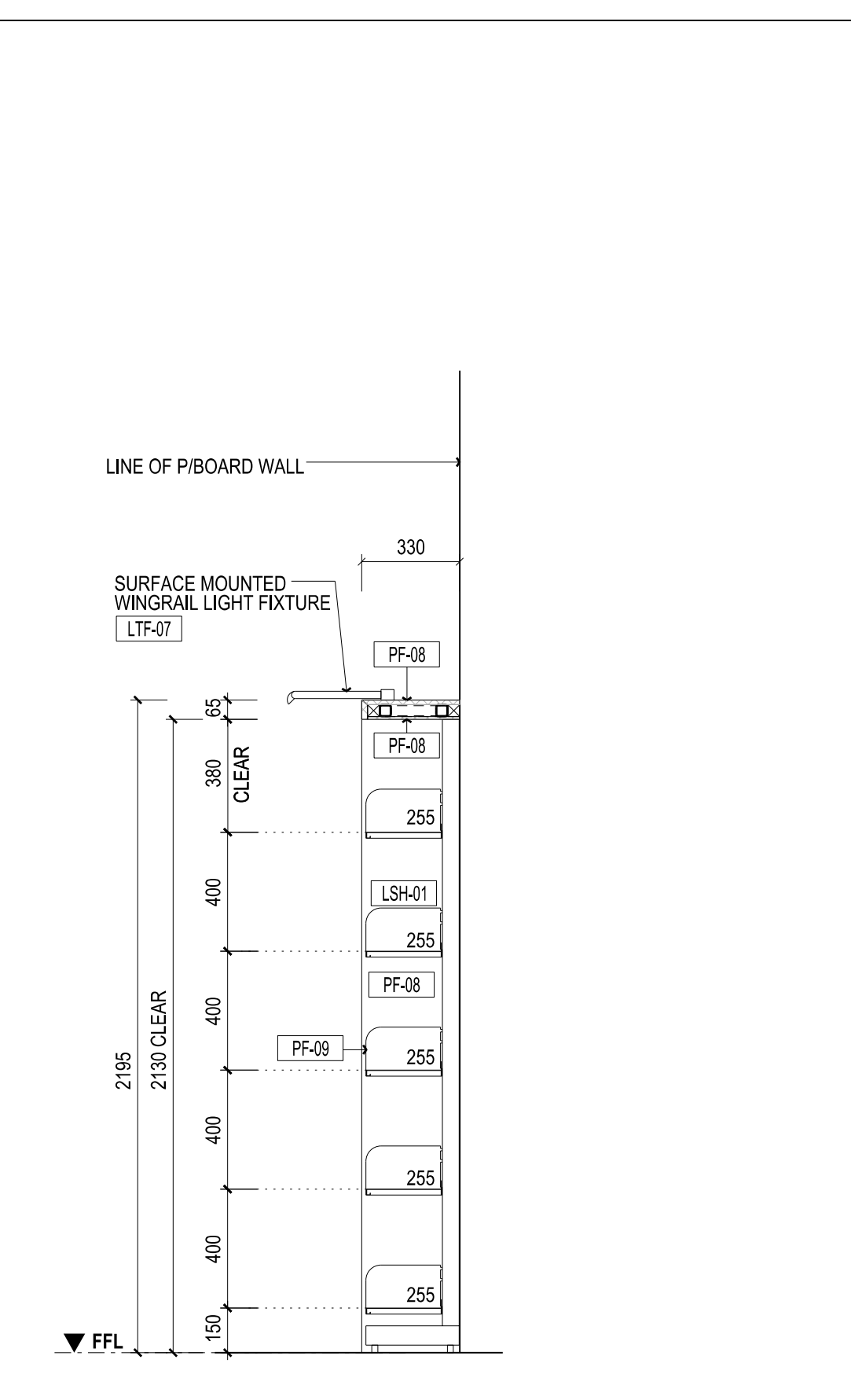
General Notes



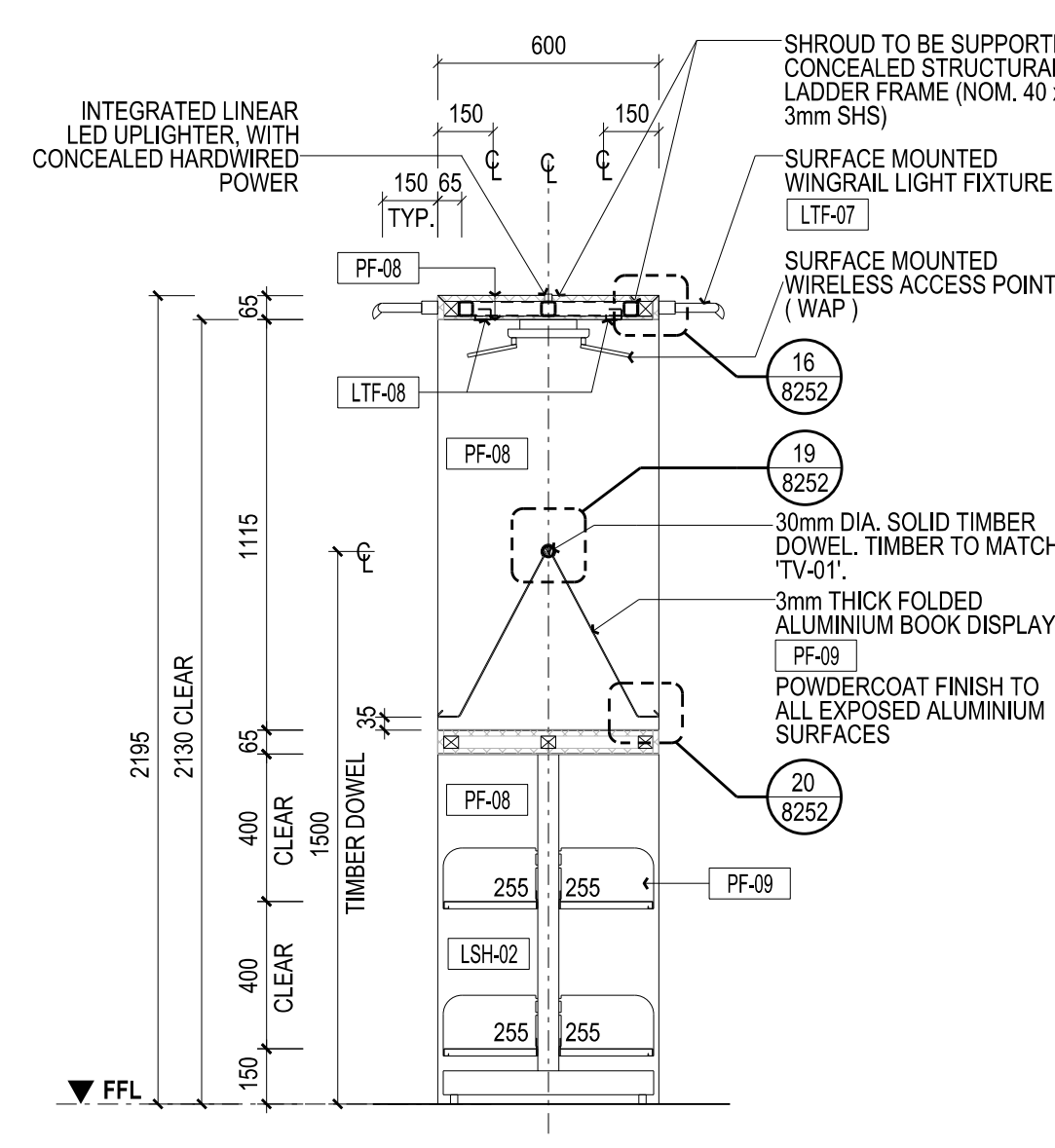
10 PLAN - JOB-28 (JOB-38, JOB-39 & JOB-40 ARE SIMILAR) LIBRARY SHELVING AND SHROUD TYPE A (TYPES H & J ARE SIMILAR) SCALE 1:20



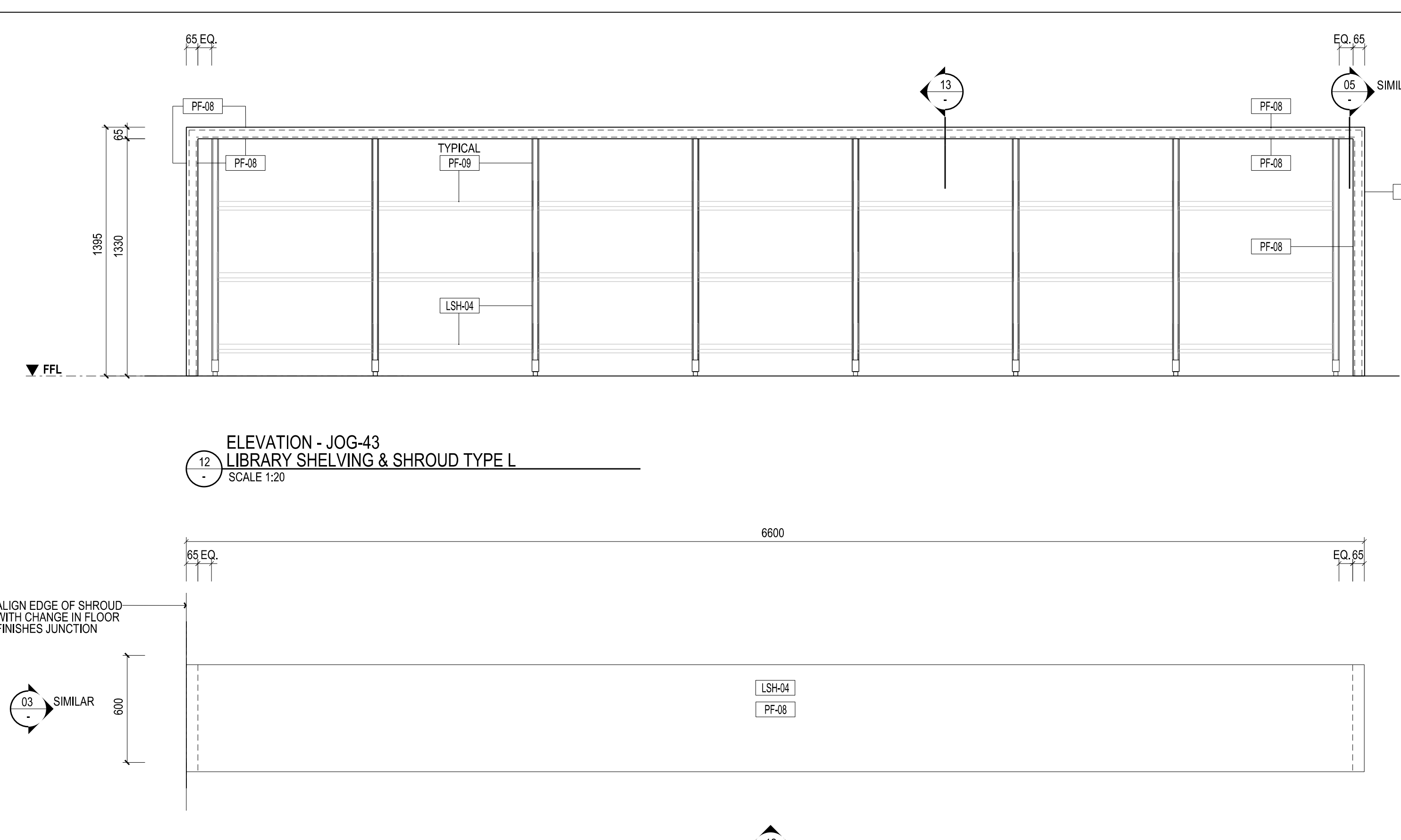
11 PLAN - JOB-35 (JOB-29, JOB-30, JOB-31, JOB-32, JOB-33, JOB-34, JOB-35, JOB-36, JOB-38, JOB-39, JOB-40, JOB-41, JOB-42, JOB-43, JOB-44 & JOB-45 ARE SIMILAR) LIBRARY SHELVING AND SHROUD TYPE D (TYPES B, C, E & K ARE SIMILAR) SCALE 1:20



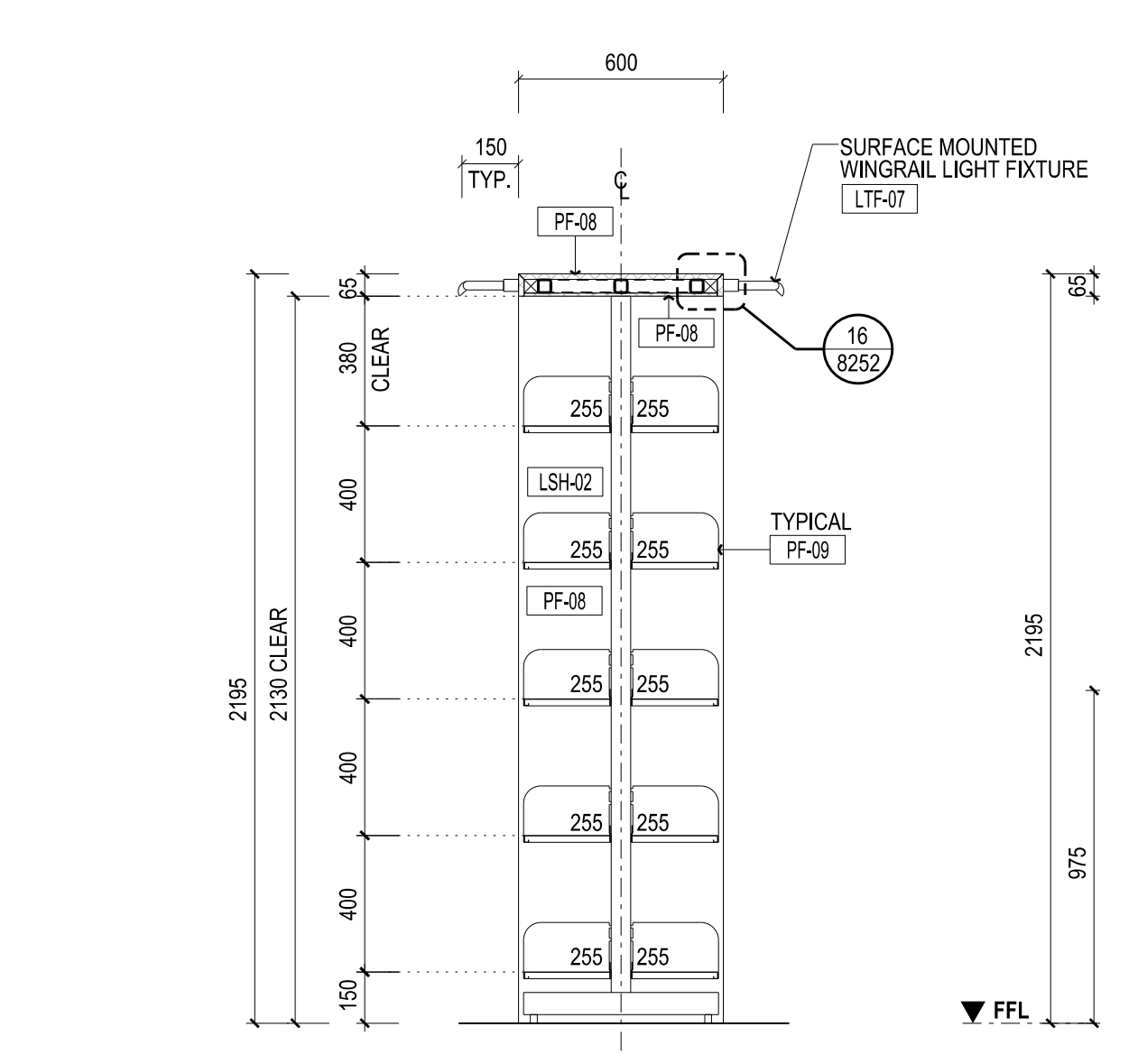
12 SECTION TYPICAL SINGLE-SIDED LIBRARY SHELVING & SHROUD TYPE A (TYPES H & J ARE SIMILAR) SCALE 1:20



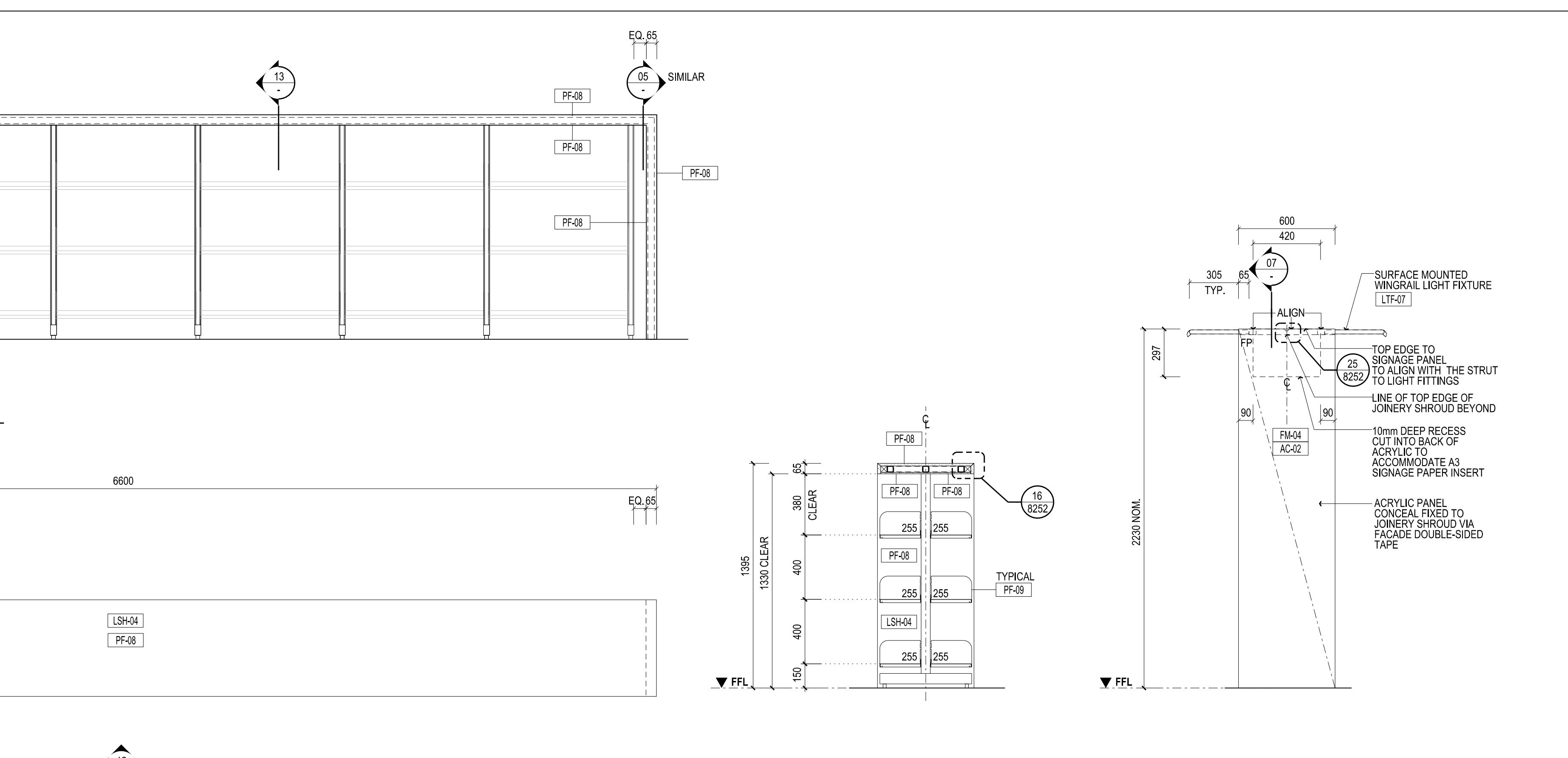
13 SECTION TYPICAL BOOK DISPLAY & PORTAL SCALE 1:10



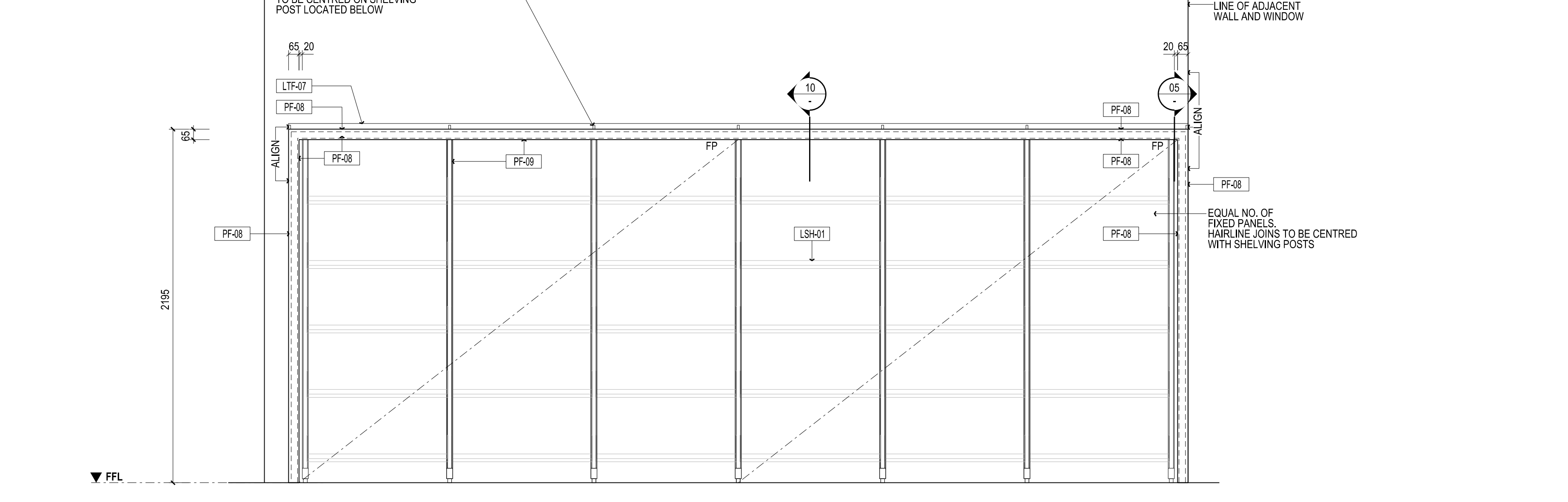
14 ELEVATION - JOB-35 (JOB-31, JOB-38, JOB-42, JOB-41 & JOB-42 ARE SIMILAR) LIBRARY SHELVING AND SHROUD TYPE D (TYPES B, C, E & K ARE SIMILAR) SCALE 1:20



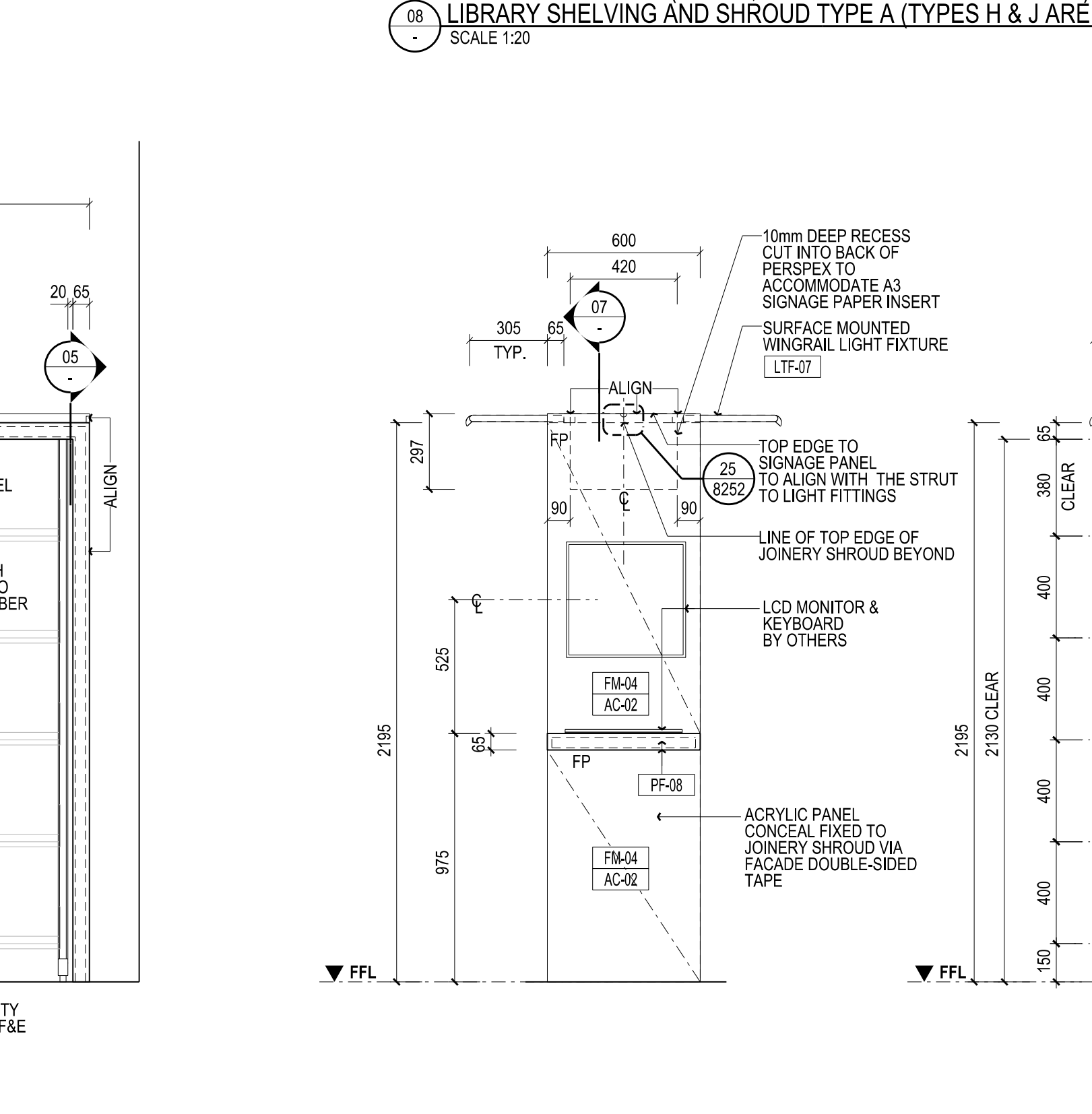
15 SECTION BOOK SHROUD & QUICK ACCESS SCALE 1:10



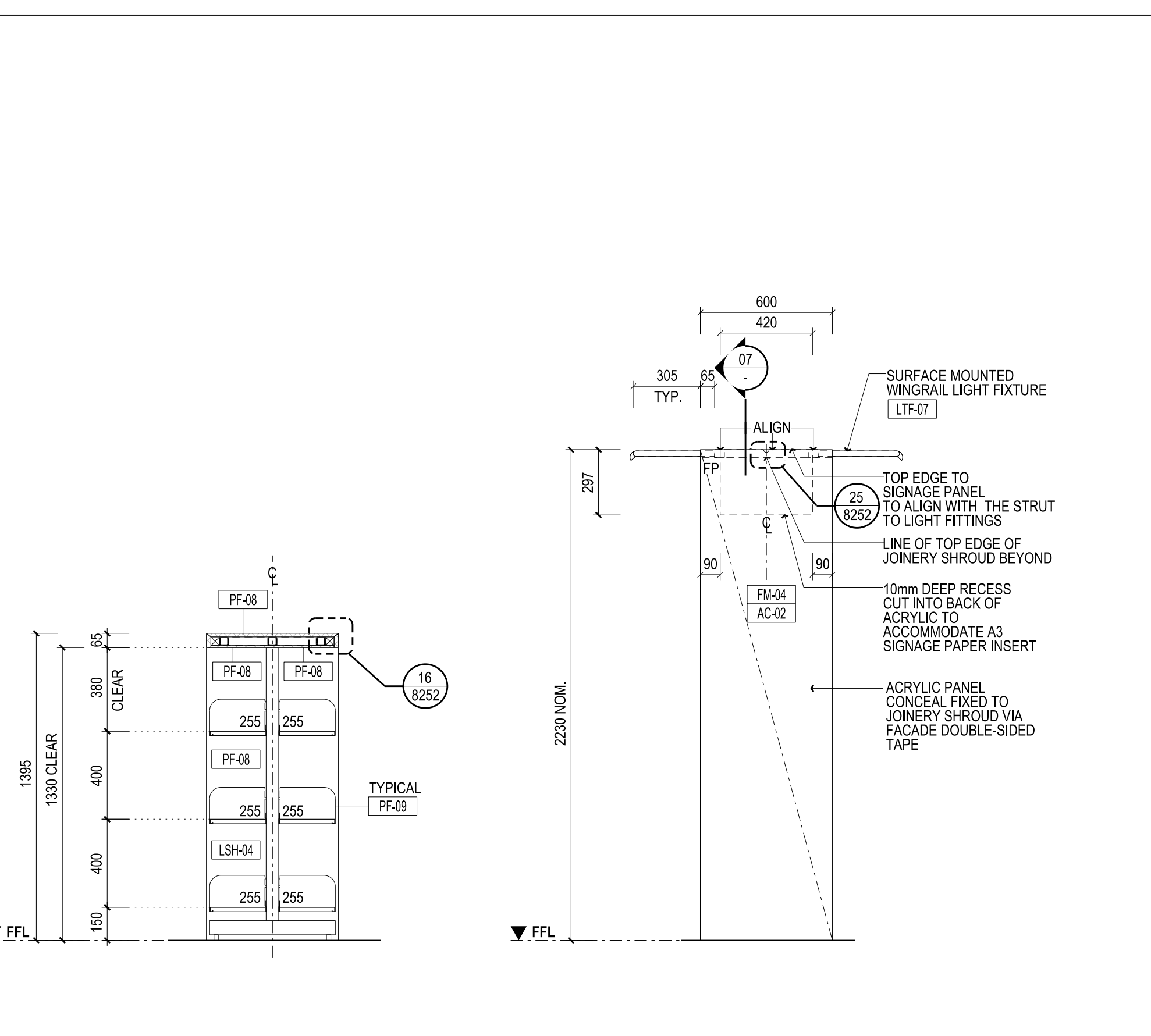
16 ELEVATION TYPICAL END PANEL TO SHROUDS SCALE 1:20



17 ELEVATION - JOB-35 (JOB-31, JOB-38, JOB-42, JOB-41 & JOB-42 ARE SIMILAR) LIBRARY SHELVING AND SHROUD TYPE D (TYPES B, C, E & K ARE SIMILAR) SCALE 1:20



18 SECTION TYPICAL DOUBLE-SIDED LIBRARY SHELVING & SHROUD SCALE 1:20



19 SECTION TYPICAL SHROUDS TO LIBRARY SHELVING SCALE 1:20

Rev	Issue	Revision Description	And	Date
D	SG	UPDATES AS CLOUED	-	21.03.14
C	SG	AMENDED EQUIPMENT	-	12.03.14
B	SG	AMENDED EQUIPMENT	-	10.01.14
A	SG	ISSUE FOR CONSTRUCTION	-	19.12.13
02	SG	100% CD - TENDER ISSUE	-	07.09.12
01	SG	75% CD ISSUE	-	13.07.12



Client University of Melbourne
Parkville Campus
Project Faculty of Architecture
Building and Planning
Title JOINERY DETAILS - LIBRARY
B01 AND G01 BOOK SHROUD DETAILS

Project No.	0913	Scale	1:20 @ A0 1:40 @ A2
Drawing No.	AR 8160	Revision	D
Date	Dec 2011	Drawn	KW
		Co-Ord	SG
		Check	JA

FOR CONSTRUCTION